

## **What is Boost?**

First introduced by Trek and SRAM, “Boost” is a term used to refer to the latest hub spacing in the MTB world.

Boost front forks have 15x110mm spacing. An increase of 10mm over 15x100mm spacing.

Boost frames have 12x148mm spacing. An increase of 6mm over 12x142mm spacing.

## **Why Boost?**

Boost offers two main benefits.

- 1) Wider hub flange spacing increases spoke angles, which creates stiffer wheels.
- 2) Increased frame and fork width creates additional tire clearance to allow the use of “plus” size tires.

## **Are there endcaps available to change my existing wheels to the new Boost spacing?**

No. The disc rotor and cassette spacing of a Boost hub do not allow for a simple endcap swap.

## **Why do I see Boost cranks and chainrings?**

As the rear hub spacing has increased by 6mm, the cassette on a Boost rear wheel is shifted 3mm (6mm/2) further from the center of the bike. To match this increased chainline, chainrings must also be shifted 3mm further outboard. Fortunately this can be accomplished on a SRAM crankset simply by choosing a Boost offset chainring.

## **Are Boost cranks and chainrings mandatory on a Boost MTB?**

In practice, the chainline on many non-Boost cranksets is actually wider than the theoretical “optimal” chainline. They are built that way to ensure that the chainrings have sufficient clearance at the chainstays and that the chain doesn’t rub the tire. This means that many non-Boost cranks and chainrings have an acceptable chainline for the Boost spacing and will work fine on most Boost bikes with regular tires. They may however not work on all bikes, especially if using plus size tires. For more details, read the explanation by WolfTooth Components here:

<http://www.wolfteethcomponents.com/pages/boost-chainline-and-chainrings>

### What Boost compatible products do we carry?

We have current plans to carry RockShox forks, and SRAM cranks, hubs, wheels, and chainrings. We will also have Boost hubs by DT Swiss. Some of these items are already available. To make sure we remain ahead of the curve, we are also working on bringing Boost to our private label brands. Stay tuned for upcoming releases by Eclipse and The Wheelshop!

## BOOST

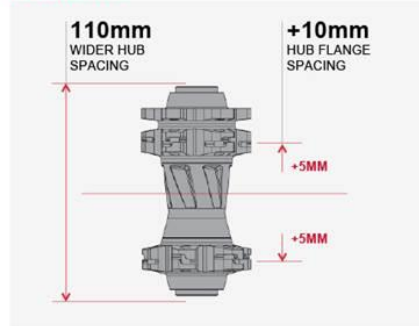
For a long time now, SRAM had been looking for a way to open up more room around the crankset for frame designers to further optimize their bikes. SRAM 1x™ was the first step in this direction by eliminating the need for a front derailleur. However, SRAM also had hopes to move the chainline outboard as well. It wasn't until an OE came to us with a similar goal that we were able to realize this hope.

#### BOOST IS A NEW WHEEL AND DRIVETRAIN SPECIFICATION THAT PROVIDES:

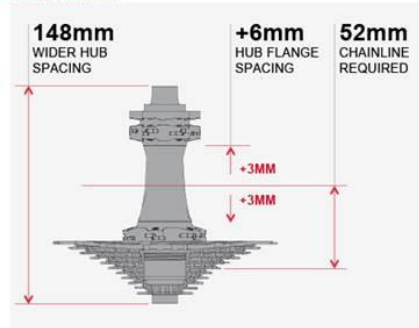
- Increased wheel stiffness and durability
- Better riding efficiency and bike handling precision
- Improved frame geometry with shorter chain stays
- Wider and stiffer suspension pivots
- Wider range of chainring options
- More clearance for bigger tires



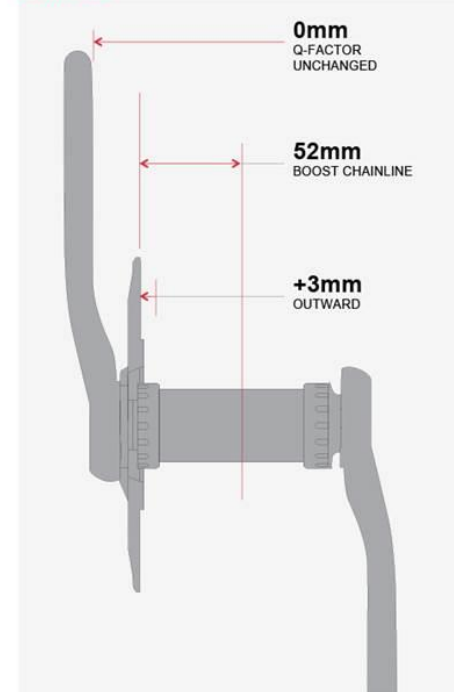
FRONT WHEELS



REAR WHEELS



DRIVETRAIN



<https://www.sram.com/rockshox/technologies/boost>

<http://www.wolftoothcomponents.com/pages/boost-chainline-and-chainrings>



**RockShox BOOST Forks :**

LAM Part #	Model	Wheel Size	Travel	Spring	Description
140472-06-275	Lyrik RCT3	27.5"	180mm	Solo Air	Rock Shox, Lyrik RCT3, Suspension fork, 275", Solo Air, 180mm, 1-1/8"-1.5", 15x110mm TA, Black
140477-02-275	Lyrik RCT3	27.5"	180mm	Dual Position Air	Rock Shox, Lyrik RCT3, Suspension fork, 275", Dual Position Air, 180mm, 1-1/8"-1.5", 15x110mm TA, Black
140472-07-275	Lyrik RCT3	27.5"	160mm	Solo Air	Rock Shox, Lyrik RCT3, Suspension fork, 275", Solo Air, 160mm, 1-1/8"-1.5", 15x110mm TA, Black
140477-03-275	Lyrik RCT3	27.5"	160mm	Dual Position Air	Rock Shox, Lyrik RCT3, Suspension fork, 275", Dual Position Air, 160mm, 1-1/8"-1.5", 15x110mm TA, Black
140472-05-29	Lyrik RCT3	29"/27.5"+	160mm	Solo Air	Rock Shox, Lyrik RCT 29"/27.5", Suspension fork, 160mm, Solo Air, 1-1/8" - 1.5", 51mm offset, 15x110mm
140477-04-29	Lyrik RCT3	29"/27.5"+	160mm	Dual Position Air	Rock Shox, Lyrik RCT3, Suspension fork, 29/27.5", Dual Position Air, 160mm, 1-1/8"-1.5", 15x110mm TA, Black
140466-15-275	Pike RCT3	27.5"	160mm	Solo Air	Rock Shox Pike RCT3 27.5", Suspension fork, 160mm, Solo Air, Boost compatible, 1-1/8" - 1.5", 42mm offset, 15x110mm
140466-20-275	Pike RCT3	27.5"	160mm	Dual Position Air	Rock Shox, Pike RCT3, Suspension fork, 275", Dual Position Air, 160mm, 1-1/8"-1.5", 15x110mm TA, Black
140466-19-275	Pike RCT3	27.5"	150mm	Solo Air	Rock Shox, Pike RCT3, Suspension fork, 275", Solo Air, 150mm, 1-1/8"-1.5", 15x110mm TA, Black
140466-18-275	Pike RCT3	27.5"	140mm	Solo Air	Rock Shox, Pike RCT3, Suspension fork, 275", Solo Air, 140mm, 1-1/8"-1.5", 15x110mm TA, Black
140466-21-29	Pike RCT3	29"/27.5"+	160mm	Dual Position Air	Rock Shox, Pike RCT3, Suspension fork, 29/27.5", Dual Position Air, 160mm, 1-1/8"-1.5", 15x110mm TA, Black
140466-17-29	Pike RCT3	29"/27.5"+	140mm	Solo Air	Rock Shox Pike RCT3 29"/27.5", Suspension fork, 140mm, Solo Air, Boost compatible, 1-1/8" - 1.5", 51mm offset, 15x110mm
140466-16-29	Pike RCT3	29"/27.5"+	120mm	Solo Air	Rock Shox Pike RCT3 29"/27.5", Suspension fork, 120mm, Solo Air, Boost compatible, 1-1/8" - 1.5", 51mm offset, 15x110mm